

# Preparation unit—GT Series(Short PC bowl type)

GTC, GTFC, GTFR, GTF, GTL Series



## Product feature

- The short PC bowl type is upgraded GA200 series. Besides its speciality are the same as GA200 series, it's below speciality:
- The bowl is made of PC and is short which allows for litter space application.
- Two drain types are available: semi-auto drain, and automatic drain.

## Ordering code

**GTC200 08 S**     **W G K**  
**GTFC200 08 S**     **W G K**  
**GTFR200 08 S**      **W G K**

①    ② ③ ④ ⑤    ⑥ ⑦ ⑧

① Model	② Port size	③ Type code	④ Accessories	⑤ Pressure gauge	⑥ Filtering grade	⑦ Thread type	⑧ Code of reflux valve
GTC200: GT200 Series F.R.L unit (Short PC bowl)	06: 1/8" 08: 1/4"	S: Standard L: Lower pressure [Note1]	No this code	Blank: Circular N: No gauge	Blank: 40 μ m W: 5 μ m	Blank: PT(MPa/psi) G: G(bar/MPa) T: NPT(psi/bar)	Blank: No reverse flow valve is attached K: Reverse flow valve is attached [Note2]
GTFC200: GT200 Series FR.L unit (Short PC bowl)							
GTFR200: GT200 Series Filter & regulator (Short PC bowl)			Blank: Bracket J: No bracket				

[Note1] The maximum work pressure of lower pressure type is 0.4MPa(58psi); [Note2] Please refer to page 194 for details of reflux valve.

**GTF200 08**     **W G**

①    ② ③ ④ ⑤

① Model	② Port size	③ Accessories	④ Filtering grade	⑤ Thread type
GTF200: GT200 Series Filter (Short PC bowl)	06: 1/8" 08: 1/4"	Blank: Bracket J: No bracket	Blank: 40 μ m W: 5 μ m	Blank: PT G: G T: NPT

**GTL200 08**     **G**

①    ② ③ ④

① Model	② Port size	③ Accessories	④ Thread type
GTL200: GT200GA200 Lubricator (Short PC bowl)	06: 1/8" 08: 1/4"	Blank: Bracket J: No bracket	Blank: PT G: G T: NPT

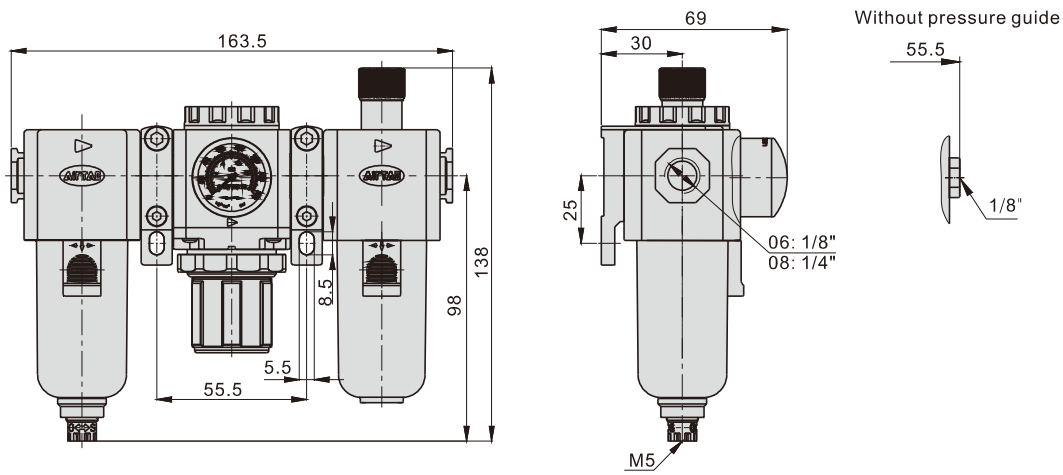
# Preparation unit—GT Series(Short PC bowl type)



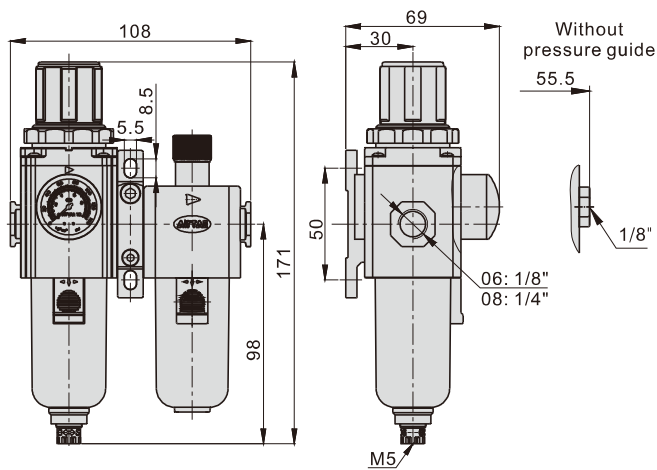
GTC, GTF, GTF, GTL Series

## Dimensions

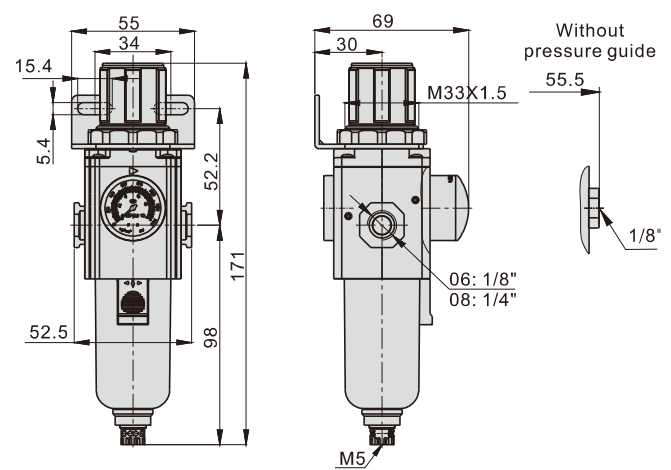
### GTC200



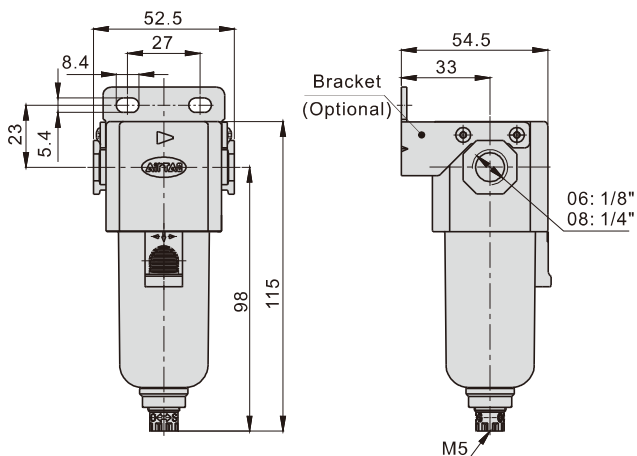
### GTF200



### GTFR200



### GTF200



### GTL200

